



mightySENSE

**SMART MICROWAVE
& PIR SENSORS
FOR ENERGY SAVINGS**

Table of Contents

- mightySENSE – Introduction
- Applications
- mightySENSE Sensor Switch Microwave Mini-1 A
- mightySENSE Sensor Switch Microwave Flat-1 A
- mightySENSE Sensor Switch PIR Presence-1 A

mightySENSE - Introduction

mightySENSE is a brand of Smart Motion Sensors for Industrial as well as Household applications.

There are 2 types of technology in mightySENSE Motion Sensors:

- 1. Microwave Technology:** They are capable to detect ultra 'micro' motions & detection is even possible to thin ceilings / walls
- 2. PIR Technology:** Passive InfraRed or PIR Sensors detect the Infrared variations such as from Human Body heat, thus they are capable to detect Human Motion

Applications

mightySENSE Motion Sensors are suitable for automatic & involuntary load switching (such as lights, Fans, Air Conditioners, etc.) in unattended spaces such as:

- Warehouse
- Server Rooms
- Personal Cabins
- Conference Rooms
- Substation / Panel Rooms
- Workstation Areas
- Waiting / Reception
- Elevators
- Pantry
- Corridors
- Entrances
- Foyers
- Dressing Rooms
- Garden
- Washrooms
- Passages
- Staircase
- Storage Rooms
- Temple Rooms
- Parking
- & *Many More...*

mightySENSE Sensor Switch Microwave Mini-1 A

Features



- Ultra-sensitive: Detects ultra 'micro' motion
- Detection is possible through thin ceiling, thin walls or Glass
- Re-triggering Delay concept ensures lights remain ON when someone is present
- Capable of LUX (Light intensity) based operation mode
- Anti-malfunction, error correcting sensor
- Achieve Energy Savings upto 25%

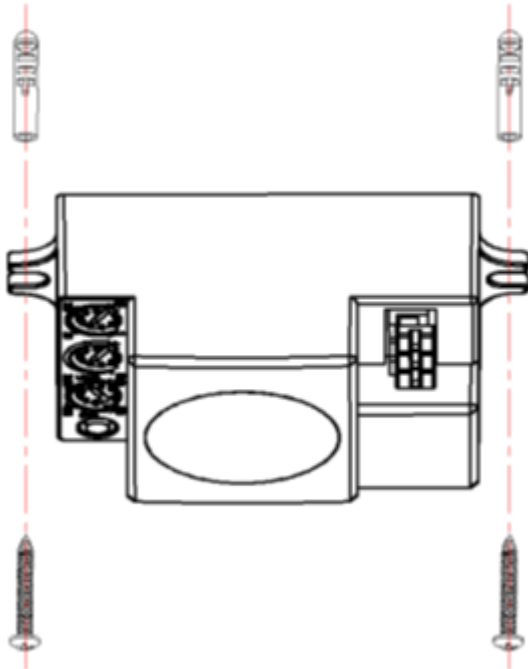
Technical Specifications



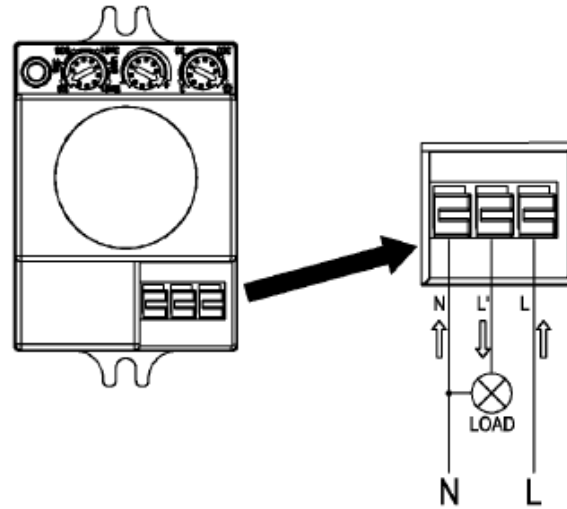
Parameter	Specification
Product Code	MSSMM1A
Product Name	mightySENSE Sensor Switch Microwave Mini-1A
Type	Microwave Motion Detector
Type of Installation	Surface - Ceiling Mount, Wall Mount / Conceal – Ceiling Mount, Wall Mount
Detection angle	360 °
Material	Plastic
Colour	White
Power Sourcing	220 – 240 V AC
Power Frequency	50 / 60 Hz
Error Protection	Anti-Malfunction

Parameter	Specification
Ambient Light	< 3 – 2000 LUX (Adjustable)
Time Delay	Min. 10 sec. ± 3 sec. to Max. 12 min. ± 1 min.
Rated Load	1200 W
Detection Distance	Wall: 5 – 15 m, adjustable Ceiling: 1 – 8 m (radius), adjustable
Power Consumption	Approx. 0.9 W
HF System	5.8 GHz CW radar, ISM band
Transmission Power	< 0.2 mW
Installing Height	Wall: 1.5-3.5m, Ceiling: 2-8m
Detection Motion Speed	0.6 – 1.5 m/s
Operating Modes	1) Motion 2) Motion + LUX

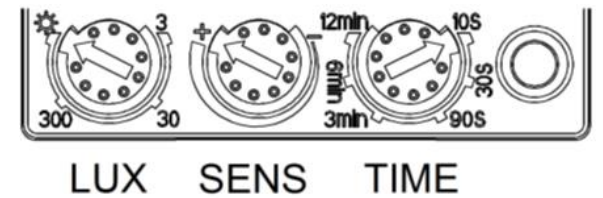
Installation Diagrams



Installing Sensor



Connection Wire Diagram



Sensor Configuration

mightySENSE Sensor Switch Microwave Flat-1 A

Features



- Ultra-sensitive: Detects ultra 'micro' motion
- Re-triggering Delay concept ensures lights remain ON when someone is present
- Capable of LUX (Light intensity) based operation mode
- Anti-malfunction, error correcting sensor
- Achieve Energy Savings upto 25%

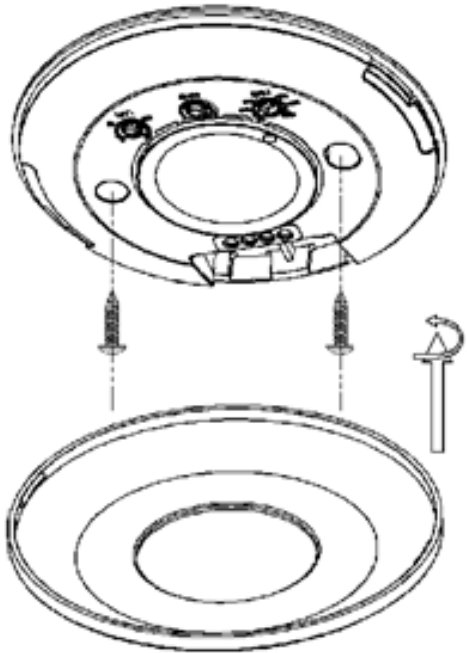
Technical Specifications



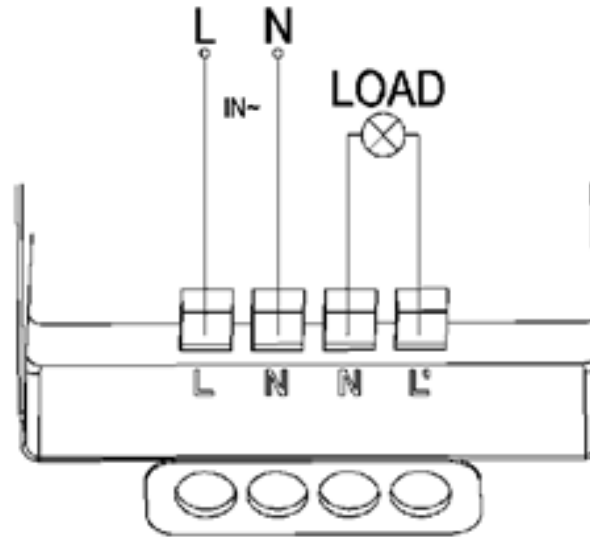
Parameter	Specification
Product Code	MSSSMF1A
Product Name	mightySENSE Sensor Switch Microwave Flat-1A
Type	Microwave Motion Detector
Type of Installation	Surface - Ceiling Mount, Wall Mount
Detection angle	360 °
Material	Plastic
Colour	White
Power Sourcing	220 – 240 V AC
Power Frequency	50 / 60 Hz
Error Protection	Anti-Malfunction

Parameter	Specification
Ambient Light	< 3 – 2000 LUX (Adjustable)
Time Delay	Min. 10 sec. ± 3 sec. to Max. 12 min. ± 1 min.
Rated Load	1200 W
Detection Distance	1 – 8 m (radius), adjustable
Power Consumption	Approx. 0.9 W
HF System	5.8 GHz CW radar, ISM band
Transmission Power	< 0.2 mW
Installing Height	2 m – 6 m
Detection Motion Speed	0.6 – 1.5 m/s
Operating Modes	1) Motion 2) Motion + LUX

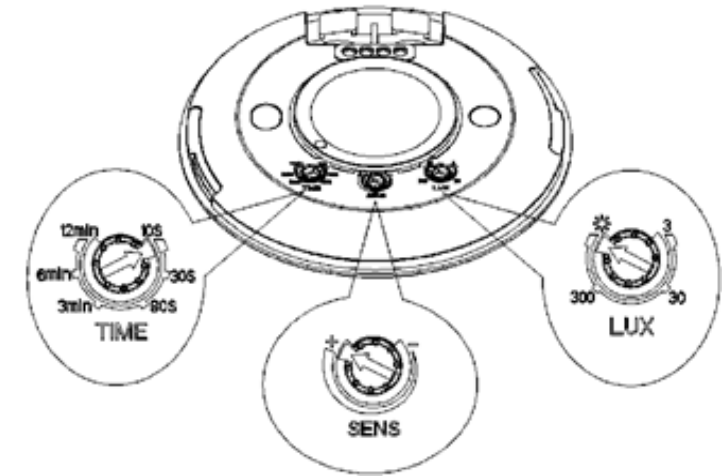
Installation Diagrams



Installing Sensor



Connection Wire Diagram



Sensor Configuration

mightySENSE Sensor Switch PIR Presence-1 A

Features



- Detection of Human Motion Passive Infrared variations
- Long Range detection due to 3 Detectors
- Re-triggering Delay concept ensures lights remain ON when someone is present
- Capable of LUX (Light intensity) based operation mode
- Anti-malfunction, error correcting sensor
- Achieve Energy Savings upto 25%



3 Detectors in mightySENSE Sensor Switch PIR Presence-1A
for Long Range & High Sensitivity

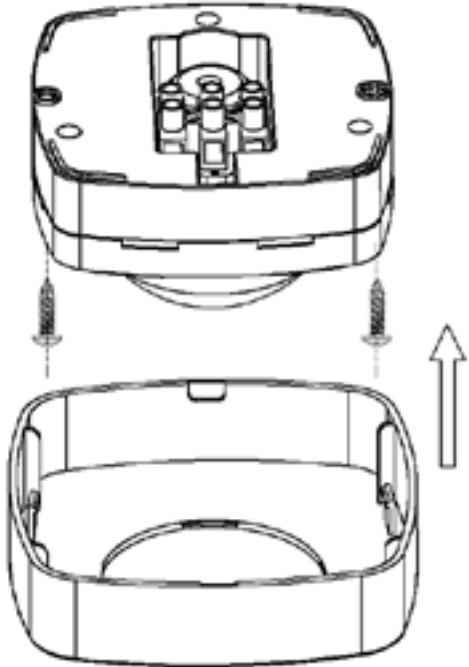
Technical Specifications



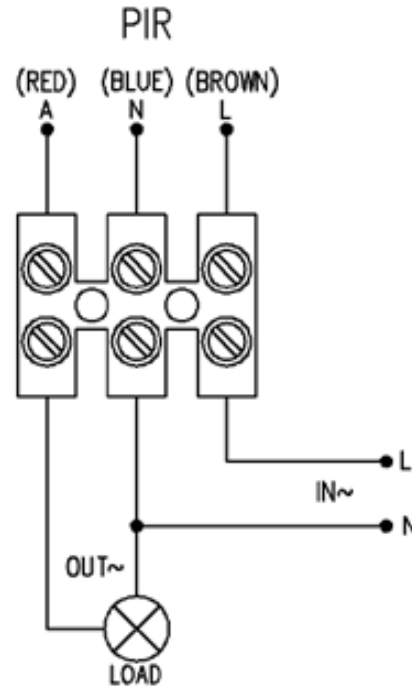
Parameter	Specification
Product Code	MSSSPIRP1A
Product Name	mightySENSE Sensor Switch PIR Presence-1A
Type	Passive Infrared Motion Detector
Type of Installation	Surface - Ceiling Mount, Wall Mount
Detection angle	360 ° (x3 Detectors)
Material	Plastic
Colour	White
Power Sourcing	220 – 240 V AC
Power Frequency	50 / 60 Hz
Error Protection	Anti-Malfunction

Parameter	Specification
Ambient Light	< 3 – 2000 LUX (Adjustable)
Time Delay	Min. 10 sec. ± 3 sec. to Max. 12 min. ± 1 min.
Rated Load	2000 W
Detection Distance	20 m Max. (< 24 °C)
Power Consumption	Approx. 0.5 W
HF System	5.8 GHz CW radar, ISM band
Transmission Power	< 0.2 mW
Installing Height	2.2 m to 6 m
Operating Temperature	0 °C to 35 °C (< 93% Rh)
Operating Modes	1) Motion 2) Motion + LUX

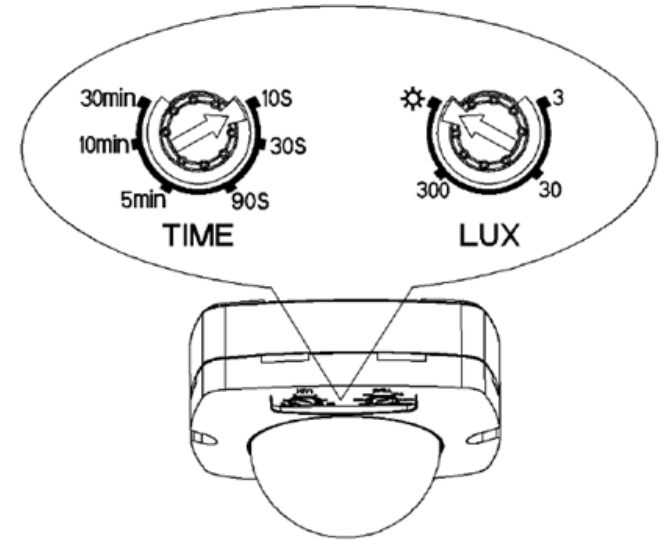
Installation Diagrams



Installing Sensor



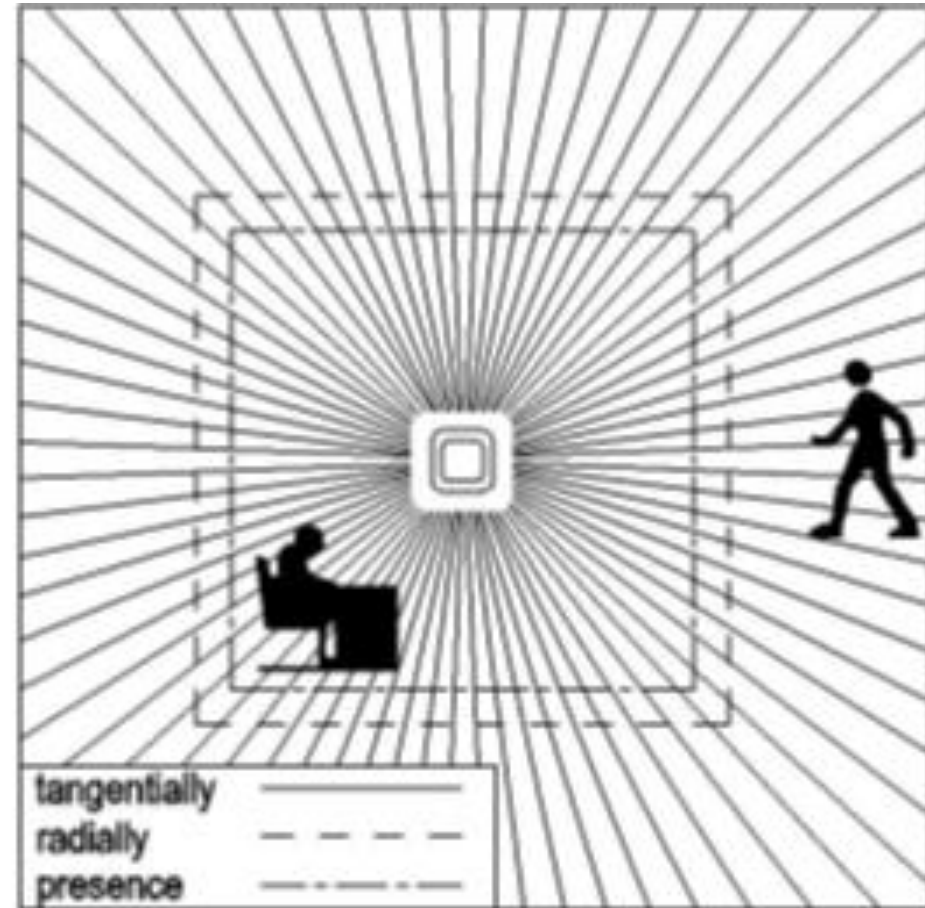
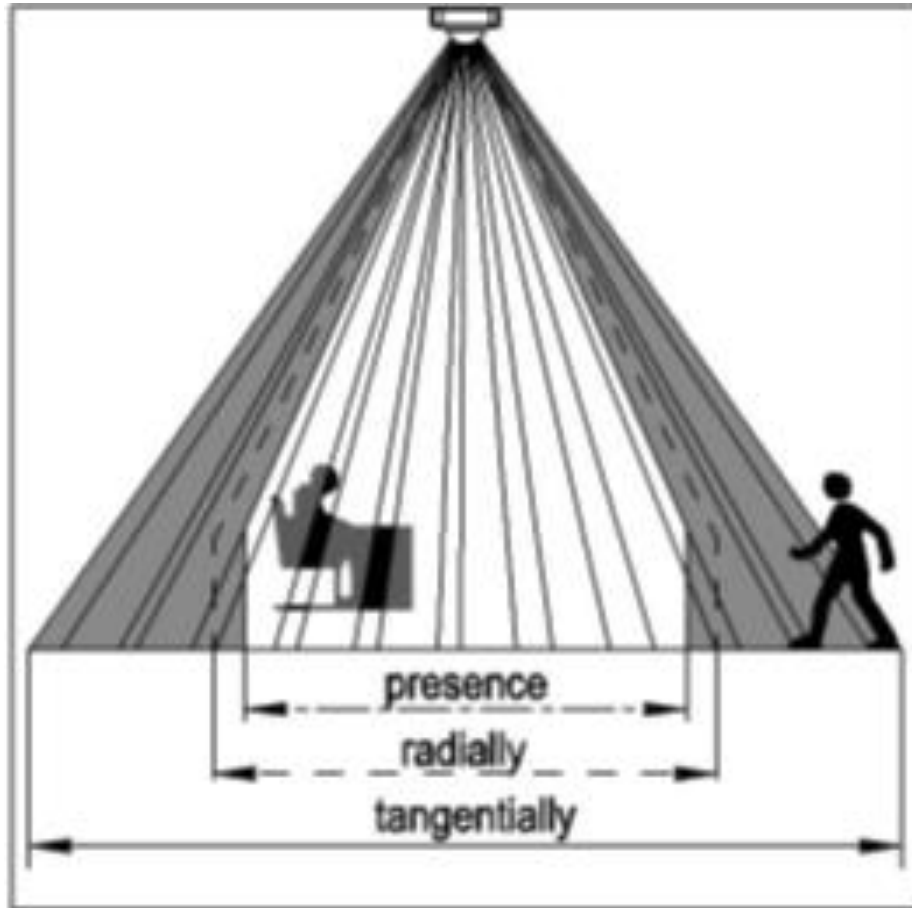
Connection Wire Diagram



Sensor Configuration



Installation Advice



Contact Us



(+91) 9978923444



info@memighty.com



5th Floor, Shraddha Apartment, Behind
Giriraj Furniture, Kubernagar-1, Katargam
Darwaja, Surat – 395004. Gujarat (India)



www.memighty.com



MEMIGHTY®

“Where Ideas, Dreams & Passion convert to **inventions**”

File	mightySENSE Brochure
Version	V2
Revision	02
Published	18/10/2020